

STA4A-4131A024M (ORDER NO. 099481)

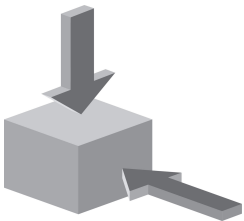
Safety switch STA with door monitoring contact

- ▶ Auxiliary release on the front
- ▶ With door monitoring contact



Description

Approach direction



Figure

Horizontal and vertical

Can be adjusted in 90° steps

Solenoid operating voltage

- ▶ AC/DC 24 V +10%, -15%

Guard locking type

STA4 Open-circuit current principle, guard locking by applying voltage to the guard locking solenoid. Release by spring force.

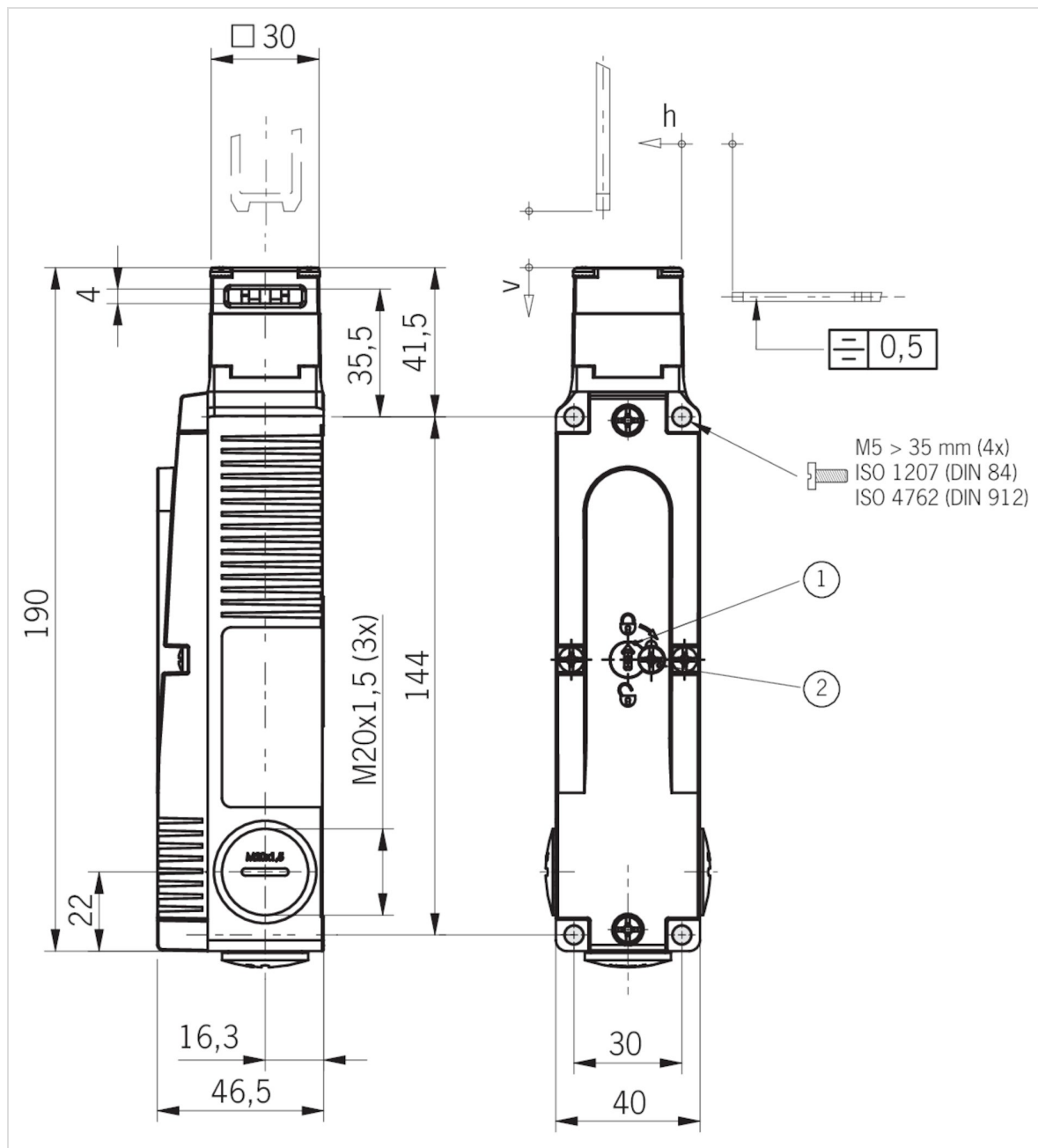
Switching element

4131 Slow-action switching contact 2 NC (→) + 1 NO + 1 NO (door monitoring contact)

Auxiliary release

Is used for releasing the guard locking with the aid of a tool. To protect against tampering, the auxiliary release is sealed with sealing lacquer.

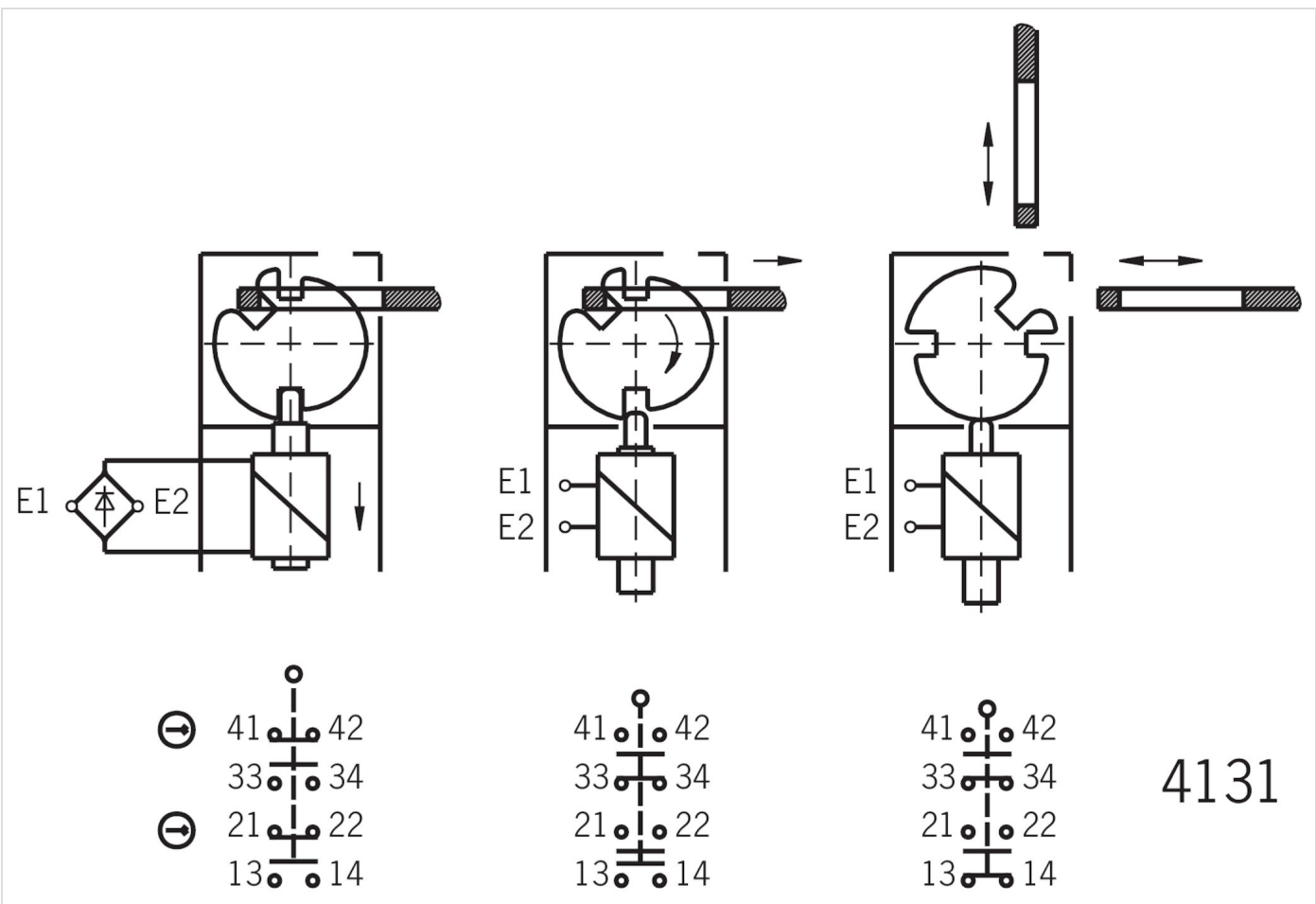
Dimension drawing



1 Auxiliary release

2 Locking screw

4131



Technical data

Approvals



Mechanical values and environment

Housing material	Housing Alloy - die-cast
Weight	Net 0,6 kg
Ambient temperature	-20 ... 80 °C
Degree of protection	IP67
Mechanical life	1 x 10 ⁶
Contact material	Silver alloy, gold flashed
Switching principle	Slow-action switching contact
Installation orientation	Any
Number of door position NO contacts	1
Number of guard lock monitoring positively driven contacts	2
Number of guard lock monitoring NO contacts	1
Connection	3 x M20 x 1.5
Approach speed	max.20 m/min
Actuation frequency	max.1200 1/h
Guard locking principle	Open-circuit current principle
Locking force F _{max}	3000 N
Locking force F _{Zh}	2300 N
Retention force	20 N
Extraction force	30 N
Actuating force	35 N
Insertion depth	24,5 mm

Electrical connection ratings

Thermal rated current I _{th}	4 A
Utilization category acc. to EN 60947-5-1	AC-15 4A 230V DC-13 4A 24V
Solenoid operating voltage	AC/DC 24 V -15% ... +10%
Short circuit protection according to IEC 60269-1	4A gG
Rated insulation voltage U _i	250 V
Rated impulse withstand voltage U _{imp}	2,5 kV
Switching voltage	Min. at 10mA 12 V
Switching current	Min. at 24V 1 mA
Connection rating	8 W
Solenoid duty cycle	100 %
Connection cross-section	0,34 ... 1,5 mm ²

Reliability values according to EN ISO 13849-1

	Monitoring of guard locking and the safety guard position
B10 _D	11,5 x 10 ⁶

In combination with Actuator BETAETIGER-S-GT-SN

Mechanical values and environment

Overtravel

5 mm

Accessories

Actuator

Actuator L, bent, for safety switches SGA/SGP/STA/STP/STM for insertion funnel



095741
BETAETIGER-S-WQT-LN

- ▶ Two safety screws included
- ▶ Actuator with rubber bush

Actuator L for safety switches SGA/SGP/STA/STP/STM for insertion funnel



095739
BETAETIGER-S-GT-LN

- ▶ Two safety screws included
- ▶ Actuator with rubber bush

Actuator S, bent, for safety switches SGA/SGP/STA/STP/STM



095740
BETAETIGER-S-WQT-SN

- ▶ Two safety screws included

Actuator S for safety switches SGA/SGP/STA/STP/STM



097861
BETAETIGER-S-G-SN-C2115

- ▶ Two safety screws included
- ▶ Physically compatible with TP actuator P-G



095738
BETAETIGER-S-GT-SN

- ▶ Two safety screws included
- ▶ Actuator with rubber bush

Hinged actuator L left/right, for safety switches SGA/SGP/STA/STP/STM for insertion funnel



096844
RADIUSBETAETIGER-S-LR-LN

- ▶ Actuators made of stainless steel
- ▶ Two stainless safety screws per actuator
- ▶ For doors hinged on the right or left

Hinged actuator L top/bottom, for safety switches SGA/SGP/STA/STP/STM for insertion funnel



096697

- ▶ Actuators made of stainless steel



RADIUSBETAETIGER-S-OU-LN

- ▶ Two stainless safety screws per actuator
- ▶ For doors hinged at top and bottom

Hinged actuator S left/right for safety switches SGA/SGP/STA/STP/STM



096838
RADIUSBETAETIGER-S-LR-SN

- ▶ Actuators made of stainless steel
- ▶ Two safety screws included
- ▶ For doors hinged on the right or left

Hinged actuator S top/bottom for safety switches SGA/SGP/STA/STP/STM



095315
RADIUSBETAETIGER-S-OU-SN

- ▶ Actuators made of stainless steel
- ▶ Two safety screws included
- ▶ For doors hinged at top and bottom

Bolt

Bolt BTC-ST/G... without escape release for safety switches STA, STP, SGP and SGA



106284
BTC-ST/G-S-TH-00-X

- ▶ Aluminum bolt
- ▶ For doors hinged on the left or right
- ▶ Can be locked in open position with padlocks
- ▶ Actuator included

Bolt BTM-UNIP-S... for safety switches TP, STP, STA and CTP



159951
BTM-UNIP-S-TH-00-X-159951

- ▶ Steel bolt
- ▶ For doors hinged on the left or right
- ▶ Can be locked in open position with padlocks
- ▶ Actuator not included

Bolt S... for safety switches STA, STP, SGP and SGA



096384
RIEGEL S-A

- ▶ Steel bolt
- ▶ For doors hinged on the right
- ▶ Can be locked in open position with padlocks
- ▶ Actuator included



096385
RIEGEL S-C

- ▶ Steel bolt
- ▶ For doors hinged on the left
- ▶ Can be locked in open position with padlocks
- ▶ Actuator included

Bolt STP-GFK for safety switches STA, STP, SGP and SGA



098121
RIEGEL STP-GFK

- ▶ Fiber glass reinforced plastic bolt
- ▶ For doors hinged on the left or right
- ▶ Can be locked in open position with padlocks
- ▶ Actuator included

Connection material

Cable glands M20x1.5, cable Ø 6.5-9.5 mm



077683
EKVM20/06

Cable glands M20x1.5, cable Ø 9-13 mm



077684
EKVM20/09

Function expansion

Built in LED light chips to front

Built-in LED, light shines to front



095510
EINBAULEUCHTE LED-F M20X1,5

Built-in LED, light shines to side



087423
EINBAULEUCHTE LED M20X1,5

Emergency unlocking for safety switches STA



099876
NOTENTSPERRUNG STA

Handle for escape release for safety switches TP/STP/STA



105329
FE-GRIFF

Insertion funnel for safety switches SGP/STA/STP/STM/SGA



093157
EINFUEHRTRICHTER-S

Lockout bar STA/STP/SGA/SGP/STM



105701
SPERREINSATZ STP/STA

- ▶ Prevents unintentional closing of the door
- ▶ Can be secured with padlocks

Wire front release



096230
AE-B-A1-02,0-096230

- ▶ Can be used as escape release or emergency release
- ▶ No automatic return
- ▶ Sheath length 2 m (rope length 6 m)



097747
AE-B-A1-02,0-F-097747

- ▶ Can be used as escape release or emergency release
- ▶ Automatic return
- ▶ Sheath length 2 m (rope length 6 m)



098313
AE-B-A1-03,0-098313

- ▶ Can be used as escape release or emergency release
- ▶ No automatic return
- ▶ Sheath length 3 m (rope length 6 m)



111233
AE-B-A1-03,0-F-111233

- ▶ Can be used as escape release or emergency release
- ▶ Automatic return
- ▶ Sheath length 3 m (rope length 6 m)



098314
AE-B-A1-04,0-098314

- ▶ Can be used as escape release or emergency release
- ▶ No automatic return
- ▶ Sheath length 4 m (rope length 6 m)



125582
AE-B-A1-06,0-125582

- ▶ Can be used as escape release or emergency release
- ▶ No automatic return
- ▶ Rope length 6 m (without sheath)



124770
AE-B-A1-06,0-F-124770

- ▶ Can be used as escape release or emergency release
- ▶ Automatic return
- ▶ Rope length 6 m (without sheath)

Mounting accessories

Mounting plates EMP-B1 for actuators for safety switches CTP, TP...A, STA, STP, TX and TZ



093457
EMP-B1

Mounting plates EMP-B2 for actuators for safety switches CTP, TP...A, STA, STP, TX and TZ



093458
EMP-B2

Mounting plates EMP-SB for safety switches CTP, TP...A, STA, STP and TX



093456
EMP-SB

- ▶ For vertical and horizontal mounting of safety switches TP...A, STA, STP and TX

Switch bracket CTP/TP/STP GFK



096613
SCHALTERAUFNAHME TP/STP GFK

- ▶ Switch bracket made of fiber glass reinforced plastic
- ▶ For doors hinged on the left or right

Contacts

🏠 EUCHNER GmbH + Co. KG
Kohlhammerstraße 16
70771 Leinfelden-Echterdingen

☎ +49 711 7597-0

📠 +49 711 753316

✉ info(at)euchner.de